

Exemplary image

BBS/MKG

BALL VALVE WITH THREADED PORTS

VERSION C
DN 32-50 | PN 100

FULL BORE

INFORMATION

Ball Valve with threaded ports

/// CE marking

/// TÜV-type approval

/// The lever is included

MATERIALS

Body	Steel*
Fittings	Steel*
Ball	Stainless steel
Sealings	PTFE, with steel ring
O-Rings	FPM
Stem	Stainless steel
Stem retainer	Brass

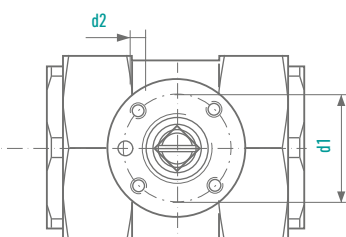
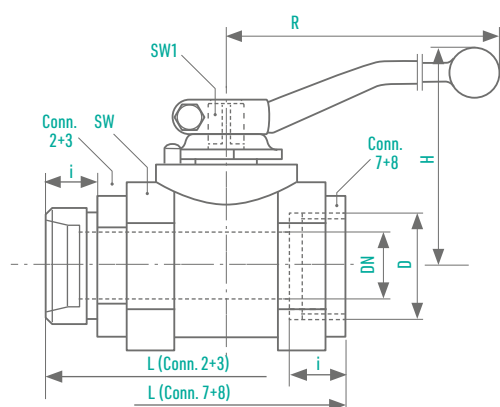
*Material EN10204 3.1/3.2

OPTIONS

/// **Mounting holes**
(BBS/MKG Version C-M)
Surcharge: 20,40 €

/// **Locking device**
(BBS/MKG Version C-L)
Surcharge: 23,00 €

/// Special designs on request



Mounting holes optional
(BBS/MKG Version C-M)
See Data Sheet: „OPTIONS“



**2 For compression fitting,
light series, DIN 2353**

DN [mm]	OD Pipe [mm]	PN [bar]	D [mm]	i [mm]	L [mm]	SW [mm]	H [mm]	R [mm]	SW 1 [mm]	Weight [kg]	Order Number
32	35	100	M 45 x 2	16	145	70	110	205	16	3,5	0044900
40	42	100	M 52 x 2	16	150	80	120	300	16	4,5	0044901



**3 For compression fitting,
heavy series, DIN 2353**

DN [mm]	OD Pipe [mm]	PN [bar]	D [mm]	i [mm]	L [mm]	SW [mm]	H [mm]	R [mm]	SW 1 [mm]	Weight [kg]	Order Number
32	38	100	M 52 x 2	22	145	70	110	205	16	3,5	0044902



**7 BSP female thread
DIN ISO 228/1**

DN [mm]	OD Pipe [mm]	PN [bar]	D [mm]	i [mm]	L [mm]	SW [mm]	H [mm]	R [mm]	SW 1 [mm]	Weight [kg]	Order Number
32	-	100	G 1 1/4	21	110	70	110	205	16	3,0	0044903
40	-	100	G 1 1/2	23	120	80	120	300	16	4,0	0044904
50	-	100	G 2	24	140	100	130	300	16	6,0	0044905



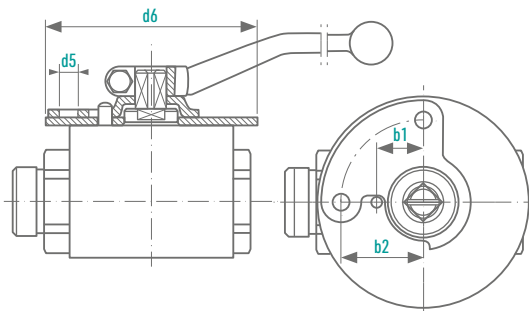
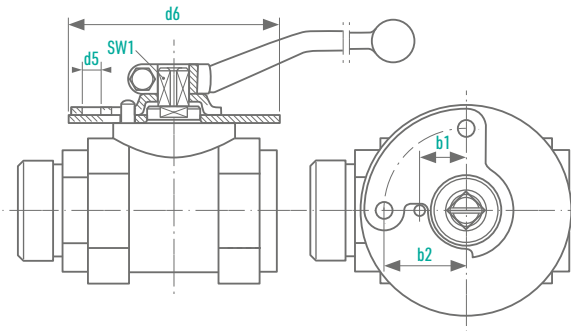
**8 NPT female thread
ANSI/ASME B 1.20.1**

DN [mm]	OD Pipe [mm]	PN [bar]	D [mm]	i [mm]	L [mm]	SW [mm]	H [mm]	R [mm]	SW 1 [mm]	Weight [kg]	Order Number
32	-	100	NPT 1 1/4	21	110	70	110	205	16	3,0	0044906
40	-	100	NPT 1 1/2	23	120	80	120	300	16	4,0	0044907
50	-	100	NPT 2	24	140	100	130	300	16	6,0	0044908

OPTIONS

LOCKING DEVICE, OPTIONAL (VERSION -L)

Subject to surcharge



Models	DN [mm]	b1	b2	d5	d6
KMG KHG MKG ENG	4	12	23	7,5	60
	6	12	23	7,5	60
	8	12	23	7,5	60
	10	13,5	23	7,5	65
	12	17,5	31	7	80
	16	17,5	31	7	80
	20	17,5	31	7	80
	25	17,5	31	7	80
	32	24	41	7	100
	40	24	41	7	100
50	24	41	7	100	
Connection types 2,3,7,8, 40					

BAUREIHEN	DN [mm]	b1	b2	d5	d6
BMG BHG EBG	4	12	23	7,5	60
	6	12	23	7,5	60
	8	12	23	7,5	60
	10	13,5	23	7,5	65
	12	17,5	31	7	80
	16	17,5	31	7	80
	20	17,5	31	7	80
25	17,5	31	7	80	
Connection types 2,3,7,8,40					