



## BBS/MKG

BALL VALVE WITH  
THREADED PORTS

VERSION **B**  
DN 32-50 | PN 25

FULL BORE

### INFORMATION

#### Ball Valve with female threads

/// The lever is included

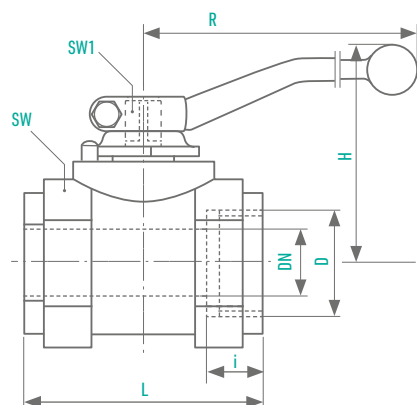
### MATERIALS

<b>Body</b>	DN 32, 40: Grey cast iron DN 50: Steel
<b>Fittings</b>	Steel
<b>Ball</b>	Stainless steel
<b>Sealings</b>	PTFE
<b>O-Rings</b>	FPM
<b>Stem</b>	Stainless steel
<b>Stem retainer</b>	Brass

### OPTIONS

/// **Locking device**  
(BBS/MKG Version B-L)  
Surcharge: 26,50 €

/// Special designs on request



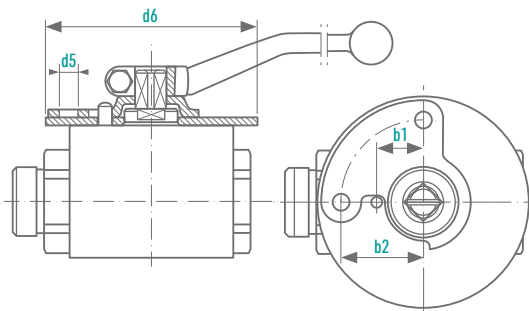
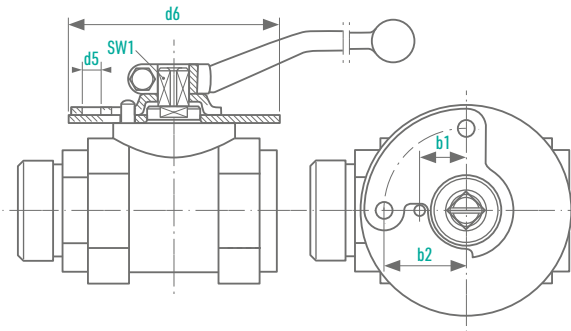
#### 7 BSP female thread DIN ISO 228/1

DN [mm]	OD Pipe [mm]	PN [bar]	D [mm]	i [mm]	L [mm]	SW [mm]	H [mm]	R [mm]	SW1 [mm]	Weight [kg]	Order Number
32	-	25	G 1 1/4	21	110	70	110	205	16	2,5	0044600
40	-	25	G 1 1/2	23	120	80	115	205	16	3,2	0044601
50	-	25	G 2	24	140	100	125	205	16	5,2	0044602

# OPTIONS

## LOCKING DEVICE, OPTIONAL (VERSION -L)

Subject to surcharge



Models	DN [mm]	b1	b2	d5	d6
<b>KMG</b> <b>KHG</b> <b>MKG</b> <b>ENG</b>	4	12	23	7,5	60
	6	12	23	7,5	60
	8	12	23	7,5	60
	10	13,5	23	7,5	65
	12	17,5	31	7	80
	16	17,5	31	7	80
	20	17,5	31	7	80
	25	17,5	31	7	80
	32	24	41	7	100
	40	24	41	7	100
50	24	41	7	100	

**Connection types**  
**2,3,7,8, 40**

BAUREIHEN	DN [mm]	b1	b2	d5	d6
<b>BMG</b> <b>BHG</b> <b>EBG</b>	4	12	23	7,5	60
	6	12	23	7,5	60
	8	12	23	7,5	60
	10	13,5	23	7,5	65
	12	17,5	31	7	80
	16	17,5	31	7	80
20	17,5	31	7	80	
25	17,5	31	7	80	

**Connection types**  
**2,3,7,8,40**