



BBS/BHG

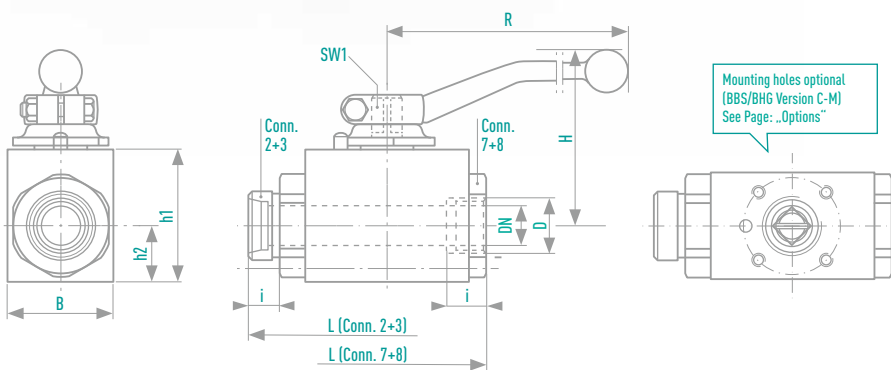
BLOCK TYPE HIGH PRESSURE BALL VALVE WITH THREADED PORTS

VERSION C
DN 4-25 | PN 100-350

Length, face-to-face DIN 3202 V1, M3

FULL BORE

Mounting holes optional
(BBS/BHG Version C-M)
See Page: „Options“



MATERIALS

Body	Steel*
Gland	Steel*
Ball	Stainless steel
Sealings	PTFE, with steel ring
O-Rings	FPM
Stem	Stainless steel
Stem retainer	Stainless steel

*Material EN10204 3.1

OPTIONS

Mounting holes
(BBS/BHG Version C-M)

Locking device
(BBS/BHG Version C-L)

TÜV-type approval

Material test certificate

INFORMATION

The lever is included

Special designs on request

Type of connection	DN [mm]	OD Pipe [mm]	PN [bar]	D [mm]	i [mm]	L [mm]	B [mm]	h1 [mm]	h2 [mm]	H [mm]	R [mm]	SW1 [mm]	Wgt. [kg]	Order-No.
2 For compression fitting, light series, DIN 2353	4	6	250*1	M12 x 1,5	10	76	30	35	16	51	90	8	0,4	008.1761
	6	8	250*1	M14 x 1,5	10	76	30	35	16	51	90	8	0,4	008.1762
	8	10	250*1	M16 x 1,5	11	76	30	35	16	51	90	8	0,4	008.1763
	10	12	250*1	M18 x 1,5	11	95*3	35	45	18,5	58	90	8	0,5	008.1764
	12	15	250*1	M22 x 1,5	12	96	40	50	23	68	130	10	0,9	008.1765
	16	18	160*1	M26 x 1,5	12	105	40	50	21,5	68	130	10	1,0	008.1766
3 For compression fitting, heavy series, DIN 2353	20	22	160*1	M30 x 2	14	110	45	55	24	77	180	10	1,3	008.1767
	25	28	100*1	M36 x 2	14	120	55	65	30,5	82	180	12	2,2	008.1768
	4	8	350	M16 x 1,5	12	76	30	35	16	51	90	8	0,4	008.1769
	6	10	350	M18 x 1,5	12	76	30	35	16	51	90	8	0,4	008.1770
	8	12	350	M20 x 1,5	12	76	30	35	16	51	90	8	0,4	008.1771
	10	14	350	M22 x 1,5	14	95*3	35	45	18,5	58	90	8	0,5	008.1772
7 BSP female thread, DIN ISO 228/1	12	16	350	M24 x 1,5	14	96	40	50	23	68	130	10	0,9	008.1773
	16	20	250	M30 x 2	16	105	40	50	21,5	68	130	10	1,0	008.1774
	20	25	175	M36 x 2	18	110	45	55	24	77	180	10	1,3	008.1775
	25	30	150	M42 x 2	20	120	55	65	30,5	82	180	12	2,2	008.1776
	4	-	350	G 1/8	11	50	30	35	16	51	90	8	0,4	008.1777
	6	-	350	G 1/4	12,5	50	30	35	16	51	90	8	0,4	008.1778
8 NPT female thread, ANSI/ASME B 1.20.1	8	-	350	G 3/8	12,5	75*3	30	35	16	51	90	8	0,4	008.1779
	10	-	350	G 3/8	12,5	95*3	35	45	18,5	58	90	8	0,7	008.1780
	12	-	350	G 1/2	15	75	40	50	23	68	130	10	0,8	008.1781
	16	-	250	G 1/2	15	75	40	50	21,5	68	130	10	0,9	008.1782
	20	-	175	G 3/4	18	80	45	55	24	77	180	10	1,2	008.1783
	25	-	150	G 1	20	90	55	65	30,5	82	180	12	2,1	008.1784
8 NPT female thread, ANSI/ASME B 1.20.1	4	-	350	NPT 1/8	11	50	30	35	16	51	90	8	0,4	008.1785
	6	-	350	NPT 1/4	12,5	50	30	35	16	51	90	8	0,4	008.1786
	8	-	350	NPT 3/8	12,5	75*3	30	35	16	51	90	8	0,4	008.1787
	10	-	350	NPT 3/8	12,5	95*3	35	45	18,5	58	90	8	0,7	008.1788
	12	-	350	NPT 1/2	15	75	40	50	23	68	130	10	0,8	008.1789
	16	-	250	NPT 1/2	15	75	40	50	21,5	68	130	10	0,9	008.1790
8 NPT female thread, ANSI/ASME B 1.20.1	20	-	175	NPT 3/4	18	80	45	55	24	77	180	10	1,2	008.1791
	25	-	150	NPT 1	20	90	55	65	30,5	82	180	12	2,1	008.1792

*1 Pressure Rating of the pipe connection

*3 Length, face to face not in accordance with standards

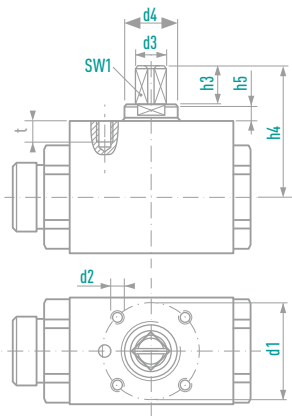
OPTIONS

PLEASE SPECIFY WHEN ORDERING:

- > Order No. & Addition „- M“ for mounting holes
- > Order No. & Addition „- L“ for locking device

MOUNTING HOLES, OPTIONAL (VERSION -M)

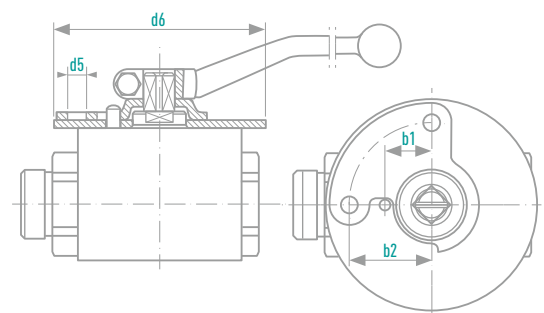
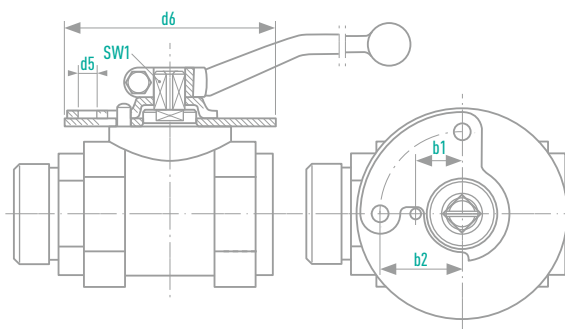
at extra cost



Models	DN [mm]	d1	d2	t	SW1	d3	h3	h4	d4	h5
BMG BHG EBG	4	25	M5	6	8	10	10	29	-	-
	6	25	M5	6	8	10	10	29	-	-
	8	25	M5	6	8	10	10	29	-	-
	10	25	M5	6	8	10	10	36	16	5
	12	36	M6	8	10	12	14	47	20	5
	16	36	M6	8	10	12	14	49	20	5
Connections 2,3,7,8,40	20	50	M6	8	10	12	14	51	20	5
	25	50	M6	8	12	15	14	55	23	5,5

LOCKING DEVICE, OPTIONAL (VERSION -L)

at extra cost



Models	DN [mm]	b1	b2	d5	d6
KMG KHG ENG	4	12	23	7,5	60
	6	12	23	7,5	60
	8	12	23	7,5	60
	10	13,5	23	7,5	65
	12	17,5	31	7	80
	16	17,5	31	7	80
Connections 2,3,7,8	20	17,5	31	7	80
	25	17,5	31	7	80

Models	DN [mm]	b1	b2	d5	d6
BMG BHG EBG	4	12	23	7,5	60
	6	12	23	7,5	60
	8	12	23	7,5	60
	10	13,5	23	7,5	65
	12	17,5	31	7	80
	16	17,5	31	7	80
Connections 2,3,7,8,40	20	17,5	31	7	80
	25	17,5	31	7	80