

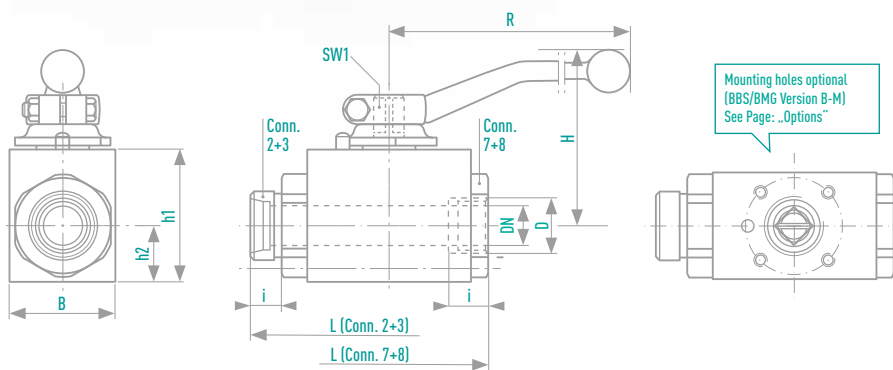
## BBS/BMG

BLOCK TYPE MEDIUM PRESSURE  
BALL VALVE WITH THREADED PORTS

VERSION **B**  
DN 4-25 | PN 100

Length, face-to-face DIN 3202 V1, M3

**FULL BORE**



Mounting holes optional  
(BBS/BMG Version B-M)  
See Page: „Options“

### MATERIALS

Body	Steel*
Gland	Steel*
Ball	Stainless steel
Sealings	PTFE
O-Rings	FPM
Stem	Stainless steel

\*Material: EN10204 - 3.1

### OPTIONS

**Mounting holes**  
(BBS/BMG Version B-M)

**Locking device**  
(BBS/BMG Version B-L)

### INFORMATION

TÜV-type approval

The lever is included

Special designs on request

Type of connection	DN [mm]	OD Pipe [mm]	PN [bar]	D [mm]	i [mm]	L [mm]	B [mm]	h1 [mm]	h2 [mm]	H [mm]	R [mm]	SW1 [mm]	Wgt. [kg]	Order-No.
 For compression fitting, light series, DIN 2353	4	6	100	M12 x 1,5	10	76	25	30	12	44	60	8	0,3	007.0400
	6	8	100	M14 x 1,5	10	76	25	30	12	44	60	8	0,3	007.0401
	8	10	100	M16 x 1,5	11	76	25	30	12	44	60	8	0,3	007.0402
	10	12	100	M18 x 1,5	11	80	30	35	15	51	90	8	0,4	007.0403
	12	15	100	M22 x 1,5	12	96	35	45	18	55	100	10	0,8	007.0404
	16	18	100	M26 x 1,5	12	105	40	50	21,5	68	130	10	1,0	007.0405
 For compression fitting, heavy series, DIN 2353	20	22	100	M30 x 2	14	110	45	55	24	70	130	10	1,3	007.0406
	25	28	100	M36 x 2	14	120	55	65	30,5	82	180	12	2,2	007.0407
	4	8	100	M16 x 1,5	12	76	25	30	12	44	60	8	0,3	007.0408
	6	10	100	M18 x 1,5	12	76	25	30	12	44	60	8	0,3	007.0409
	8	12	100	M20 x 1,5	12	76	25	30	12	44	60	8	0,3	007.0410
	10	14	100	M22 x 1,5	14	80	30	35	15	51	90	8	0,4	007.0411
 BSP female thread RP EN10226-1	12	16	100	M24 x 1,5	14	96	35	45	18	55	100	10	0,8	007.0412
	16	20	100	M30 x 2	16	105	40	50	21,5	68	130	10	1,0	007.0413
	20	25	100	M36 x 2	18	110	45	55	24	70	130	10	1,3	007.0414
	25	30	100	M42 x 2	20	120	55	65	30,5	82	180	12	2,2	007.0415
	4	-	100	RP 1/8	11	50	25	30	12	44	60	8	0,3	007.0416
	6	-	100	RP 1/4	12,5	50	25	30	12	44	60	8	0,3	007.0417
 BSP female thread RP DIN ISO 228/1	10	-	100	RP 3/8	12,5	60	30	35	15	51	90	8	0,4	007.0418
	12	-	100	RP 1/2	15	75	35	45	18	55	100	10	0,7	007.0419
	16	-	100	RP 1/2	15	75	40	50	21,5	68	130	10	0,9	007.0420
	20	-	100	RP 3/4	18	80	45	55	24	70	130	10	1,2	007.0421
	25	-	100	RP 1	20	90	55	65	30,5	82	180	12	2,1	007.0422
	4	-	100	G 1/8	11	50	25	30	12	44	60	8	0,3	007.0423
 BSP female thread RP DIN ISO 228/1	6	-	100	G 1/4	12,5	50	25	30	12	44	60	8	0,3	007.0424
	8	-	100	G 3/8	12,5	75 <sup>*3</sup>	25	30	12	44	60	8	0,3	007.0425
	10	-	100	G 3/8	12,5	60	30	35	15	51	90	8	0,4	007.0426
	12	-	100	G 1/2	15	75	35	45	18	55	100	10	0,7	007.0427
	16	-	100	G 1/2	15	75	40	50	21,5	68	130	10	0,9	007.0428
	20	-	100	G 3/4	18	80	45	55	24	70	130	10	1,2	007.0429
 BSP female thread RP DIN ISO 228/1	25	-	100	G 1	20	90	55	65	30,5	82	180	12	2,1	007.0430

<sup>\*3</sup> Length, face to face not in accordance with standards

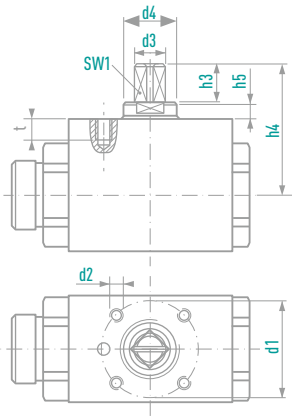
# OPTIONS

PLEASE SPECIFY WHEN ORDERING:

- > Order No. & Addition „- M“ for mounting holes
- > Order No. & Addition „- L“ for locking device

## MOUNTING HOLES, OPTIONAL (VERSION -M)

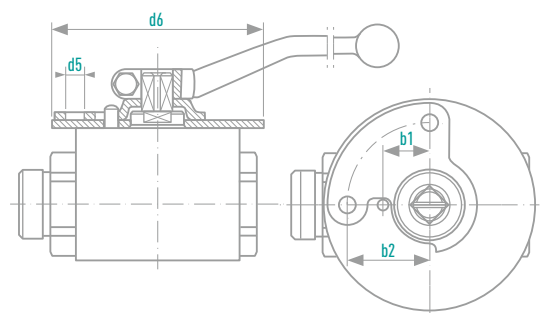
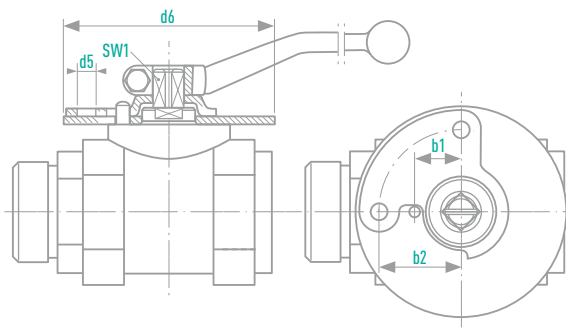
at extra cost



Models	DN [mm]	d1	d2	t	SW1	d3	h3	h4	d4	h5
<b>BMG</b> <b>BHG</b> <b>EBG</b>	4	25	M5	6	8	10	10	29	-	-
	6	25	M5	6	8	10	10	29	-	-
	8	25	M5	6	8	10	10	29	-	-
	10	25	M5	6	8	10	10	36	16	5
	12	36	M6	8	10	12	14	47	20	5
	16	36	M6	8	10	12	14	49	20	5
<b>Connections</b> <b>2,3,7,8,40</b>	20	50	M6	8	10	12	14	51	20	5
	25	50	M6	8	12	15	14	55	23	5,5

## LOCKING DEVICE, OPTIONAL (VERSION -L)

at extra cost



Models	DN [mm]	b1	b2	d5	d6
<b>KMG</b> <b>KHG</b> <b>ENG</b>	4	12	23	7,5	60
	6	12	23	7,5	60
	8	12	23	7,5	60
	10	13,5	23	7,5	65
	12	17,5	31	7	80
	16	17,5	31	7	80
<b>Connections</b> <b>2,3,7,8</b>	20	17,5	31	7	80
	25	17,5	31	7	80

Models	DN [mm]	b1	b2	d5	d6
<b>BMG</b> <b>BHG</b> <b>EBG</b>	4	12	23	7,5	60
	6	12	23	7,5	60
	8	12	23	7,5	60
	10	13,5	23	7,5	65
	12	17,5	31	7	80
	16	17,5	31	7	80
<b>Connections</b> <b>2,3,7,8,40</b>	20	17,5	31	7	80
	25	17,5	31	7	80