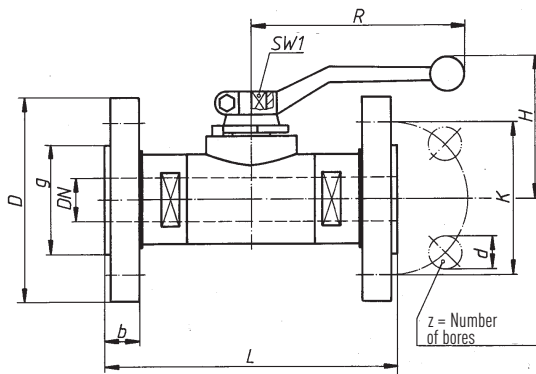
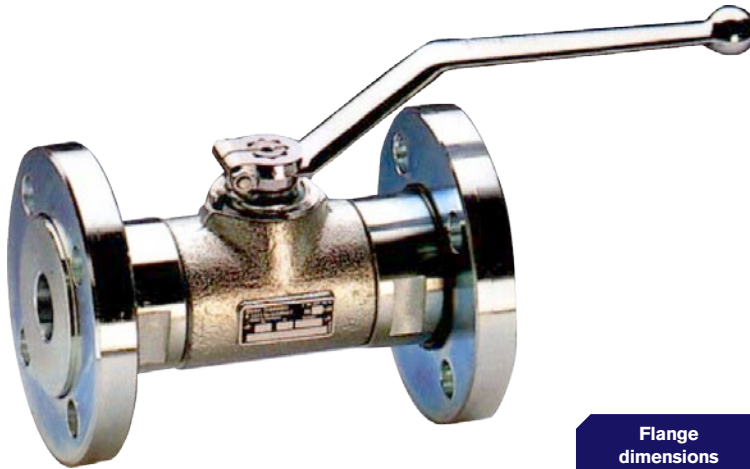


Ball valve with flanged connections, ANSI type

Full bore /
Length, face-to-face ANSI B 16.10

DN 15-50 (1/2 - 2 Inch)
ANSI Class 600

FKA



Flange dimensions ANSI B 16.5	DN		L	D	g	K	b	z	d	H	R	SW 1	Mass	Order-No.
	mm	Inch												
Class 600 Flanged ends raised face*	15	1/2	165 6 1/2	95,2 3 3/4	34,9 1 3/8	66,7 2 5/8	20,6 13/16	4	15,9 5/8	101	160	10	3,0	FKA V 600.015
	20	3/4	190 7 1/2	117,5 4 5/8	42,9 1 11/16	82,5 3 1/4	22,2 7/8	4	19 3/4	103	160	10	4,5	FKA V 600.020
	25	1	216 8 1/2	123,8 4 7/8	50,8 2	88,9 3 1/2	23,8 15/16	4	19 3/4	105	180	12	6,0	FKA V 600.025
	32	1 1/4	229 9	133,3 5 1/4	63,5 2 1/2	98,4 3 7/8	26,9 1 1/16	4	19 3/4	115	300	16	10,0	FKA V 600.032
	40	1 1/2	241 9 1/2	155,6 6 1/8	73 2 7/8	114,3 4 1/2	28,5 1 1/8	4	22,2 7/8	120	300	16	12,5	FKA V 600.040
	50	2	292 11 1/2	165,1 6 1/2	92,1 3 5/8	127 5	31,7 1 1/4	8	19 3/4	130	300	16	17,0	FKA V 600.050

Materials	ANSI-Class	DN Inch	Type 1	Type 2
Body	600	1/2 - 2	Steel	Steel
Ball	600	1/2 - 2	Steel, hard chromed	Steel, hard chromed
Seals	600	1/2 - 2	Polyamide	PTFE

Please quote order-no. and type:
FKA V 600.XXX / Type (1 o. 2)



- On request with DIN DVGW acceptance for gas.
- The handle is included
- Ball valves with PTFE seals are normally delivered with FPM O-rings.
- Special designs upon request.

Also available with TÜV component approval

* Further types of flange gasket facings on demand