

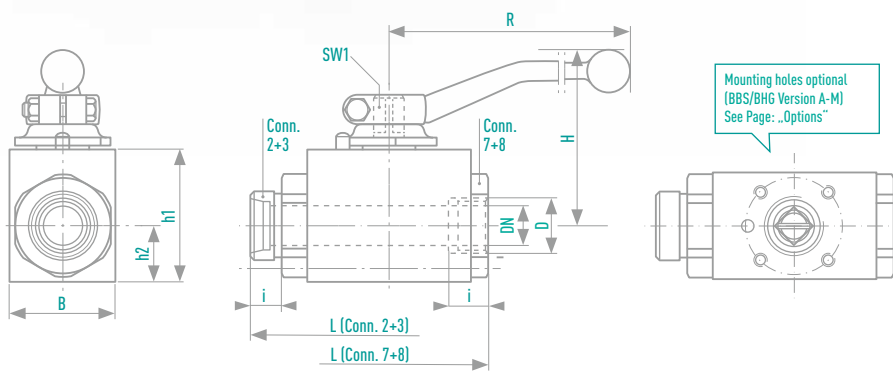
BBS/BHG

BLOCK TYPE HIGH PRESSURE
BALL VALVE WITH THREADED PORTS

VERSION A
DN 4-25 | PN 100-500

Length, face-to-face DIN 3202 V1, M3 (M4)

FULL BORE



MATERIALS

Body	Steel
Gland	Steel
Ball	Steel, hard chromed
Sealings	Polyamid
O-Rings	NBR
Stem	Stainless steel

OPTIONS

Mounting holes
(BBS/BHG Version A-M)

Locking device
(BBS/BHG Version A-L)

INFORMATION

The lever is included

Special designs on request

Type of connection	DN [mm]	OD Pipe [mm]	PN [bar]	D [mm]	i [mm]	L [mm]	B [mm]	h1 [mm]	h2 [mm]	H [mm]	R [mm]	SW 1 [mm]	Wgt. [kg]	Order-No.
2 For compression fitting, light series, DIN 2353	4	6	250*1	M12 x 1,5	10	76	25	30	12	45	90	8	0,3	008.1600
	6	8	250*1	M14 x 1,5	10	76	25	30	12	45	90	8	0,3	008.1601
	8	10	250*1	M16 x 1,5	11	76	25	30	12	45	90	8	0,3	008.1602
	10	12	250*1	M18 x 1,5	11	80	30	35	15	51	90	8	0,4	008.1603
	12	15	250*1	M22 x 1,5	12	96	35	45	18	66	130	10	0,8	008.1604
	16	18	160*1	M26 x 1,5	12	105	40	50	21,5	68	130	10	1,0	008.1605
	20	22	160*1	M30 x 2	14	110	45	55	24	77	180	10	1,3	008.1606
3 For compression fitting, heavy series, DIN 2353	25	28	100*1	M36 x 2	14	120	55	65	30,5	82	180	12	2,2	008.1607
	4	8	500	M16 x 1,5	12	76	25	30	12	45	90	8	0,3	008.1608
	6	10	500	M18 x 1,5	12	76	25	30	12	45	90	8	0,3	008.1609
	8	12	500	M20 x 1,5	12	76	25	30	12	45	90	8	0,3	008.1610
	10	14	500	M22 x 1,5	14	80	30	35	15	51	90	8	0,4	008.1611
	12	16	400*1	M24 x 1,5	14	96	35	45	18	66	130	10	0,8	008.1612
	16	20	400	M30 x 2	16	105	40	50	21,5	68	130	10	1,0	008.1613
7 BSP female thread, DIN ISO 228/1	20	25	315	M36 x 2	18	110	45	55	24	77	180	10	1,3	008.1614
	25	30	250*1	M42 x 2	20	120	55	65	30,5	82	180	12	2,2	008.1615
	4	-	500	G 1/8	11	50	25	30	12	45	90	8	0,3	008.1616
	6	-	500	G 1/4	12,5	50	25	30	12	45	90	8	0,3	008.1617
	8	-	500	G 3/8	12,5	70*2	25	30	12	45	90	8	0,3	008.1618
	10	-	500	G 3/8	12,5	60	30	35	15	51	90	8	0,4	008.1619
	12	-	500	G 1/2	15	75	35	45	18	66	130	10	0,7	008.1620
16	-	400	G 1/2	15	75	40	50	21,5	68	130	10	0,9	008.1621	
20	-	315	G 3/4	18	80	45	55	24	77	180	10	1,2	008.1622	
25	-	315	G 1	20	90	55	65	30,5	82	180	12	2,1	008.1623	

*1 Pressure Rating of the pipe connection

*2 Length, face to face DIN 3202 M4

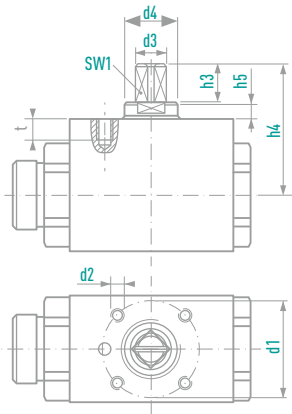
OPTIONS

PLEASE SPECIFY WHEN ORDERING:

- > Order No. & Addition „- M“ for mounting holes
- > Order No. & Addition „- L“ for locking device

MOUNTING HOLES, OPTIONAL (VERSION -M)

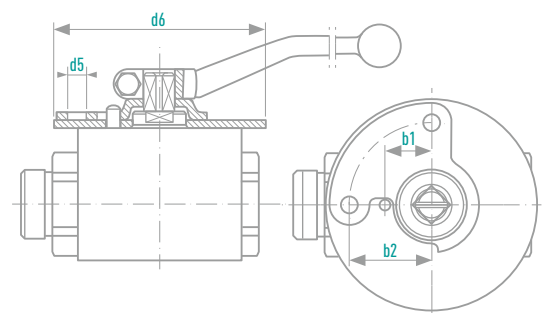
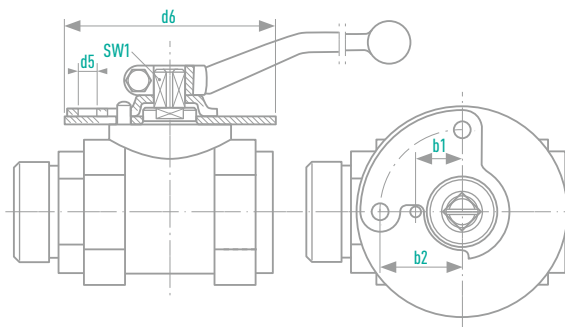
at extra cost



Models	DN [mm]	d1	d2	t	SW1	d3	h3	h4	d4	h5
BMG BHG EBG	4	25	M5	6	8	10	10	29	-	-
	6	25	M5	6	8	10	10	29	-	-
	8	25	M5	6	8	10	10	29	-	-
	10	25	M5	6	8	10	10	36	16	5
	12	36	M6	8	10	12	14	47	20	5
	16	36	M6	8	10	12	14	49	20	5
Connections 2,3,7,8,40	20	50	M6	8	10	12	14	51	20	5
	25	50	M6	8	12	15	14	55	23	5,5

LOCKING DEVICE, OPTIONAL (VERSION -L)

at extra cost



Models	DN [mm]	b1	b2	d5	d6
KMG KHG ENG	4	12	23	7,5	60
	6	12	23	7,5	60
	8	12	23	7,5	60
	10	13,5	23	7,5	65
	12	17,5	31	7	80
	16	17,5	31	7	80
Connections 2,3,7,8	20	17,5	31	7	80
	25	17,5	31	7	80

Models	DN [mm]	b1	b2	d5	d6
BMG BHG EBG	4	12	23	7,5	60
	6	12	23	7,5	60
	8	12	23	7,5	60
	10	13,5	23	7,5	65
	12	17,5	31	7	80
	16	17,5	31	7	80
Connections 2,3,7,8,40	20	17,5	31	7	80
	25	17,5	31	7	80