



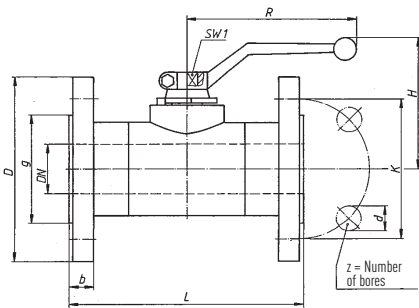
DN 10-25 ▲



DN 32-50 ▲



DN 65-100 ▲



Materials	PN	DN	Type 1	Type 2
Body	6-16	10-25	Steel	Steel
		32-100	Grey cast iron	Grey cast iron
	25	10-25	Steel	Steel
		32-50	Grey cast iron	Grey cast iron
		65-100	Steel	Steel
	40	10-25	Steel	Steel
32-50		Spheroidal cast iron	Spheroidal cast iron	
65-100		Steel	Steel	
Ball	63	10-50	Brass	Steel, hard chromed
		65-100	Grey cast iron, hard chromed	Grey cast iron, hard chromed
	6-25	10-100	Steel, hard chromed	Steel, hard chromed
Seals	40	10-50	NBR with steel ring	PTFE
		65-100	NBR	PTFE
	63	32-50	Polyamide	PTFE

Please quote order-no. and type:
FLL V XXX.XXX / Type (1 o. 2)



- On request with DIN DVGW acceptance for gas. Not applied to body-material: grey cast iron.
- The handle is included.
- Ball valves with PTFE seals are normally delivered with FPM O-rings.
- Special designs upon request.

Also available with TÜV component approval

Flange dimensions DIN 2501 page 1	DN	PN	L	D	g	K	b	z	d	H	R	SW 1	Mass kg	Order-No.
PN 6 Flanged ends raised face*	10	6	130	75	35	50	16	4	11	66	130	10	1,5	FLLV 006.010
	15	6	130	80	40	55	16	4	11	68	130	10	1,8	FLLV 006.015
	20	6	150	90	50	65	18	4	11	77	180	10	2,5	FLLV 006.020
	25	6	160	100	60	75	18	4	11	82	180	12	3,3	FLLV 006.025
	32	6	180	120	70	90	18	4	14	110	205	16	6,5	FLLV 006.032
	40	6	200	130	80	100	18	4	14	115	205	16	6,8	FLLV 006.040
	50	6	230	140	90	110	20	4	14	125	205	16	9,5	FLLV 006.050
PN 10-16 Flanged ends raised face*	10	16	130	90	40	60	16	4	14	88	180	10	2,0	FLLV 016.010
	15	16	130	95	45	65	16	4	14	90	180	10	2,2	FLLV 016.015
	20	16	150	105	58	75	18	4	14	92	180	10	3,0	FLLV 016.020
	25	16	160	115	68	85	18	4	14	95	180	12	3,5	FLLV 016.025
	32	16	180	140	78	100	18	4	18	119	205	16	7,0	FLLV 016.032
	40	16	200	150	88	110	18	4	18	125	205	16	7,5	FLLV 016.040
	50	16	230	165	102	125	20	4	18	132	205	16	11,0	FLLV 016.050
	65	16	290	185	122	145	20	4	18	155	300	16	18,5	FLLV 016.065
	80	16	310	200	138	160	22	8	18	160	350	22	27,0	FLLV 016.080
	100	16	350	220	158	180	22	8	18	175	350	22	33,0	FLLV 016.100
PN 25 Flanged ends raised face*	10	25	130	90	40	60	16	4	14	88	180	10	2,0	FLLV 025.010
	15	25	130	95	45	65	16	4	14	90	180	10	2,2	FLLV 025.015
	20	25	150	105	58	75	18	4	14	92	180	10	3,0	FLLV 025.020
	25	25	160	115	68	85	18	4	14	95	180	12	3,5	FLLV 025.025
	32	25	180	140	78	100	18	4	18	119	205	16	7,0	FLLV 025.032
	40	25	200	150	88	110	18	4	18	125	205	16	7,5	FLLV 025.040
	50	25	230	165	102	125	20	4	18	132	205	16	11,0	FLLV 025.050
	65	25	290	185	122	145	22	8	18	155	300	16	18,5	FLLV 025.065
	80	25	310	200	138	160	24	8	18	160	350	22	27,0	FLLV 025.080
	100	25	350	235	162	190	24	8	22	175	350	22	35,0	FLLV 025.100
PN 40 Flanged ends raised face*	10	40	130	90	40	60	16	4	14	88	180	10	2,0	FLLV 040.010
	15	40	130	95	45	65	16	4	14	90	180	10	2,2	FLLV 040.015
	20	40	150	105	58	75	18	4	14	92	180	10	3,0	FLLV 040.020
	25	40	160	115	68	85	18	4	14	95	180	12	3,5	FLLV 040.025
	32	40	180	140	78	100	18	4	18	119	205	16	7,0	FLLV 040.032
	40	40	200	150	88	110	18	4	18	125	205	16	7,5	FLLV 040.040
	50	40	230	165	102	125	20	4	18	132	205	16	11,0	FLLV 040.050
	65	40	290	185	122	145	22	8	18	155	300	16	18,5	FLLV 040.065
80	40	310	200	138	160	24	8	18	160	350	22	27,0	FLLV 040.080	
100	40	350	235	162	190	24	8	22	175	500	22	35,0	FLLV 040.100	
PN 63 Flanged ends raised face*	32	63	180	155	78	110	24	4	22	119	205	16	9,5	FLLV 063.032
	40	63	200	170	88	125	26	4	22	120	300	16	12,0	FLLV 063.040
	50	63	230	180	102	130	26	4	22	130	300	16	14,5	FLLV 063.050

* Further types of flange gasket facings on demand