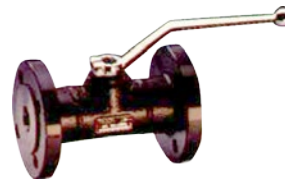
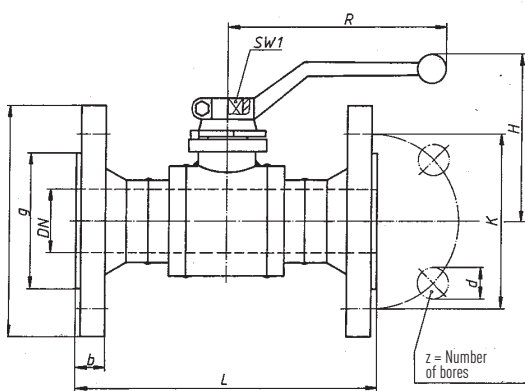




DN 32-100 ▲



DN 10-25 ▲



Materials	PN	DN	Type 1	Type 2
<b>Body</b>	10-40	10-100	Steel	Steel
	10-25	10-50	Brass	Steel, hard chromed
		65-100	Grey cast iron, hard chromed	Grey cast iron, hard chromed
	40	10-50	Steel, hard chromed	Steel, hard chromed
		65-100	Grey cast iron, hard chromed	Grey cast iron, hard chromed
<b>Ball</b>				
<b>Seals</b>	10-40	10-100	PTFE	PTFE
<b>O-Rings</b>	10-40	10-100	NBR	FPM

Please quote order-no. and type:  
**FSL V XXX.XXX / Type (1 o. 2)**



- Also available for district heating applications. Please refer to our district heating and steam catalogue for further information.
- On request with DIN DVGW acceptance for gas.
- The handle is included.
- Special designs upon request.

Also available in Fire-Safe version with test certificate according to BS 6755 and/or with TÜV component approval

Flange dimensions DIN 2501 page 1		DN	PN	L	D	g	K	b	z	d	H	R	SW 1	Mass	Order-No.
		mm	bar	mm	mm	mm	mm	mm	mm	mm	mm	mm	mm	kg	
<b>PN 10-16</b> Flanged ends raised face*	10	16	130	90	40	60	16	4	14	88	180	10	2,1	FSLV 016.010	
	15	16	130	95	45	65	16	4	14	90	180	10	2,5	FSLV 016.015	
	20	16	150	105	58	75	18	4	14	92	180	10	3,5	FSLV 016.020	
	25	16	160	115	68	85	18	4	14	95	180	12	4,5	FSLV 016.025	
	32	16	180	140	78	100	18	4	18	119	205	16	5,8	FSLV 016.032	
	40	16	200	150	88	110	18	4	18	125	205	16	6,8	FSLV 016.040	
	50	16	230	165	102	125	20	4	18	132	205	16	9,3	FSLV 016.050	
	65	16	290	185	122	145	18	4	18	140	300	16	14,5	FSLV 016.065	
	80	16	310	200	138	160	20	8	18	160	350	22	19,0	FSLV 016.080	
	100	16	350	220	158	180	20	8	18	175	350	22	26,6	FSLV 016.100	
<b>PN 25</b> Flanged ends raised face*	10	25	130	90	40	60	16	4	14	88	180	10	2,1	FSLV 025.010	
	15	25	130	95	45	65	16	4	14	90	180	10	2,5	FSLV 025.015	
	20	25	150	105	58	75	18	4	14	92	180	10	3,5	FSLV 025.020	
	25	25	160	115	68	85	18	4	14	95	180	12	4,5	FSLV 025.025	
	32	25	180	140	78	100	18	4	18	119	205	16	5,8	FSLV 025.032	
	40	25	200	150	88	110	18	4	18	125	205	16	6,8	FSLV 025.040	
	50	25	230	165	102	125	20	4	18	132	205	16	9,3	FSLV 025.050	
	65	25	290	185	122	145	22	8	18	140	300	16	14,5	FSLV 025.065	
	80	25	310	200	138	160	24	8	18	160	350	22	19,0	FSLV 025.080	
	100	25	350	235	162	190	24	8	22	175	350	22	29,0	FSLV 025.100	
<b>PN 40</b> Flanged ends raised face*	10	40	130	90	40	60	16	4	14	88	180	10	2,1	FSLV 040.010	
	15	40	130	95	45	65	16	4	14	90	180	10	2,5	FSLV 040.015	
	20	40	150	105	58	75	18	4	14	92	180	10	3,5	FSLV 040.020	
	25	40	160	115	68	85	18	4	14	95	180	12	4,5	FSLV 040.025	
	32	40	180	140	78	100	18	4	18	119	205	16	5,8	FSLV 040.032	
	40	40	200	150	88	110	18	4	18	125	205	16	6,8	FSLV 040.040	
	50	40	230	165	102	125	20	4	18	132	205	16	9,3	FSLV 040.050	
	65	40	290	185	122	145	22	8	18	140	300	16	14,5	FSLV 040.065	
	80	40	310	200	138	160	24	8	18	160	350	22	19,0	FSLV 040.080	
	100	40	350	235	162	190	24	8	22	175	500	22	29,0	FSLV 040.100	

\* Further types of flange gasket facings on demand