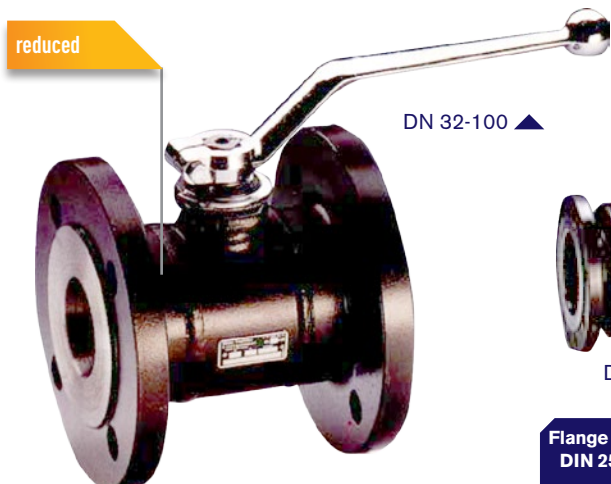


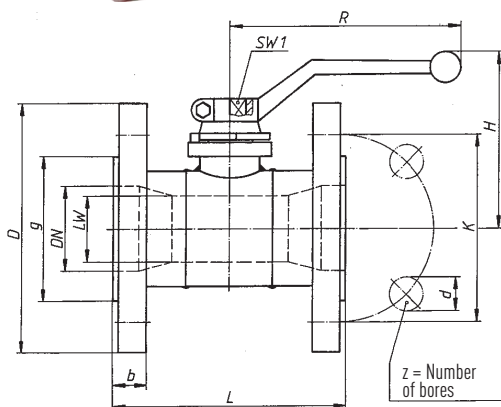
reduced



DN 32-100 ▲



DN 125-250 ▲



Materials	PN	DN	Type 1	Type 2
Body	10-40	32-250	Steel	Steel
	10-25	32-65	Brass	Steel, hard chromed
		80-250	Grey cast iron, hard chromed	Grey cast iron, hard chromed
	40	32-65	Steel, hard chromed	Steel, hard chromed
		80-125	Grey cast iron, hard chromed	Grey cast iron, hard chromed
Ball		150-250	Spheroidal cast iron, hard chromed	Spheroidal cast iron, hard chromed
Seals	10-40	32-250	PTFE	PTFE
O-Rings	10-40	32-250	NBR	FPM

Please quote order-no. and type:
FSK R XXX.XXX / Type (1 o. 2)



- Also available for district heating applications. Please refer to our district heating and steam catalogue for further information.
- On request with DIN DVGW acceptance for gas.
- The handle is included; the use of a gear unit is required in case of difficult media up to DN 200.
- Special designs upon request.

Also available in Fire-Safe version with test certificate according to BS 6755 and/or with TÜV component approval

Flange dimensions DIN 2501 page 1	DN	LW	PN	L	D	g	K	b	z	d	H	R	SW 1	Mass	Order-No.
	mm	mm	bar	mm	mm	mm	mm	mm	mm	mm	mm	mm	mm	kg	
PN 10 Flanged ends raised face*	32	25	10	130	140	78	100	18	4	18	95	180	12	5,4	FSK R 010.032
	40	32	10	140	150	88	110	18	4	18	119	205	16	5,8	FSK R 010.040
	50	40	10	150	165	102	125	20	4	18	125	205	16	7,8	FSK R 010.050
	65	50	10	170	185	122	145	22	4	18	132	205	16	11,0	FSK R 010.065
	80	65	10	180	200	138	160	24	8	18	140	300	16	15,6	FSK R 010.080
	100	80	10	190	220	158	180	20	8	18	160	350	22	18,5	FSK R 010.100
	125	100	10	325	250	188	210	22	8	18	175	350	22	27,0	FSK R 010.125
	150	125	10	350	285	212	240	22	8	22	195	500	22	37,5	FSK R 010.150
	200	150	10	400	340	268	295	24	8	22	240	600	32	62,5	FSK R 010.200
250	200	10	450	395	320	350	26	12	22	275	600	32	97,5	FSK R 010.250	
PN 16 Flanged ends raised face*	32	25	16	130	140	78	100	18	4	18	95	180	12	5,4	FSK R 016.032
	40	32	16	140	150	88	110	18	4	18	119	205	16	5,8	FSK R 016.040
	50	40	16	150	165	102	125	20	4	18	125	205	16	7,8	FSK R 016.050
	65	50	16	170	185	122	145	22	4	18	132	205	16	11,0	FSK R 016.065
	80	65	16	180	200	138	160	24	8	18	140	300	16	15,6	FSK R 016.080
	100	80	16	190	220	158	180	20	8	18	160	350	22	18,5	FSK R 016.100
	125	100	16	325	250	188	210	22	8	18	175	350	22	27,0	FSK R 016.125
	150	125	16	350	285	212	240	22	8	22	195	500	22	37,5	FSK R 016.150
	200	150	16	400	340	268	295	24	12	22	240	600	32	62,5	FSK R 016.200
250	200	16	450	405	320	355	26	12	26	275	600	32	99,5	FSK R 016.250	
PN 25 Flanged ends raised face*	32	25	25	130	140	78	100	18	4	18	95	180	12	5,4	FSK R 025.032
	40	32	25	140	150	88	110	18	4	18	119	205	16	5,8	FSK R 025.040
	50	40	25	150	165	102	125	20	4	18	125	205	16	7,8	FSK R 025.050
	65	50	25	170	185	122	145	22	8	18	132	205	16	11,0	FSK R 025.065
	80	65	25	180	200	138	160	24	8	18	140	300	16	15,6	FSK R 025.080
	100	80	25	190	235	162	190	24	8	22	160	350	22	21,0	FSK R 025.100
	125	100	25	325	270	188	220	26	8	26	175	350	22	32,6	FSK R 025.125
	150	125	25	350	300	218	250	28	8	26	195	500	22	45,6	FSK R 025.150
	200	150	25	400	360	278	310	30	12	26	240	600	32	74,5	FSK R 025.200
250	200	25	450	425	335	370	32	12	30	275	600	32	117,0	FSK R 025.250	
PN 40 Flanged ends raised face*	32	25	40	130	140	78	100	18	4	18	95	180	12	5,4	FSK R 040.032
	40	32	40	140	150	88	110	18	4	18	119	205	16	5,8	FSK R 040.040
	50	40	40	150	165	102	125	20	4	18	125	205	16	7,8	FSK R 040.050
	65	50	40	170	185	122	145	22	8	18	132	205	16	11,0	FSK R 040.065
	80	65	40	180	200	138	160	24	8	18	140	300	16	15,6	FSK R 040.080
	100	80	40	190	235	162	190	24	8	22	160	350	22	21,0	FSK R 040.100
	125	100	40	325	270	188	220	26	8	26	175	350	22	32,6	FSK R 040.125
	150	125	40	350	300	218	250	28	8	26	195	500	22	45,6	FSK R 040.150
	200	150	40	400	375	285	320	34	12	30	240	600	32	83,5	FSK R 040.200
250	200	40	450	450	345	385	38	12	33	275	600	32	138,0	FSK R 040.250	

* Further types of flange gasket facings on demand