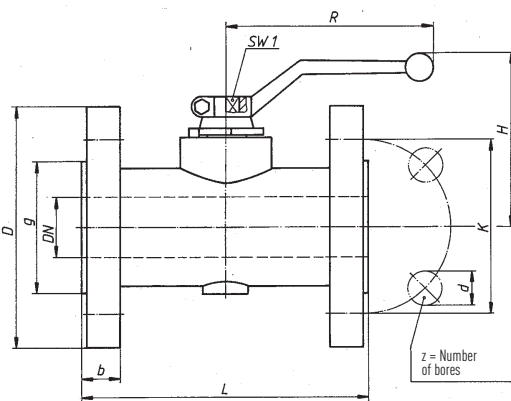


PN 100-160 ▲

PN 250-315 ▲



Flange dimensions DIN 2501 page 1	DN	PN		L	D	g	K	b	z	d	H	R	SW 1	Mass	Order-No.
		Polyamide, Delfrin	PTFE												
		mm	bar												
PN 100-160 Flanged ends raised face*	40	160	100	200	170	88	125	28	4	22	135	325	16	12,5	FHLV 160.040
	50	160	100	230	195	102	145	30	4	26	145	325	16	17,0	FHLV 160.050
PN 250 Flanged ends raised face*	40	250	-	200	185	88	135	34	4	26	155	325	16	16,0	FHLV 250.040
	50	250	-	230	200	102	150	38	8	26	160	325	16	20,0	FHLV 250.050
PN 315 Flanged ends raised face*	40	315	-	200	195	88	145	38	4	26	155	325	16	19,0	FHLV 315.040
	50	315	-	230	210	102	160	42	8	26	160	325	16	23,5	FHLV 315.050

Materials	PN	DN	Type 1	Type 2
Body	100-315	40-50	Steel	Steel
Ball	100-315	40-50	Steel, hard chromed	Steel, hard chromed
Seals	100-160	40-50	Polyamide	PTFE
	250-315		Delfrin	-

Please quote order-no. and type:
FHL V XXX.XXX / Type (1 o. 2)



- The handle is included.
- Ball valves with PTFE seals are normally delivered with FPM O-rings.
- Special designs upon request.

* Further types of flange gasket facings on demand