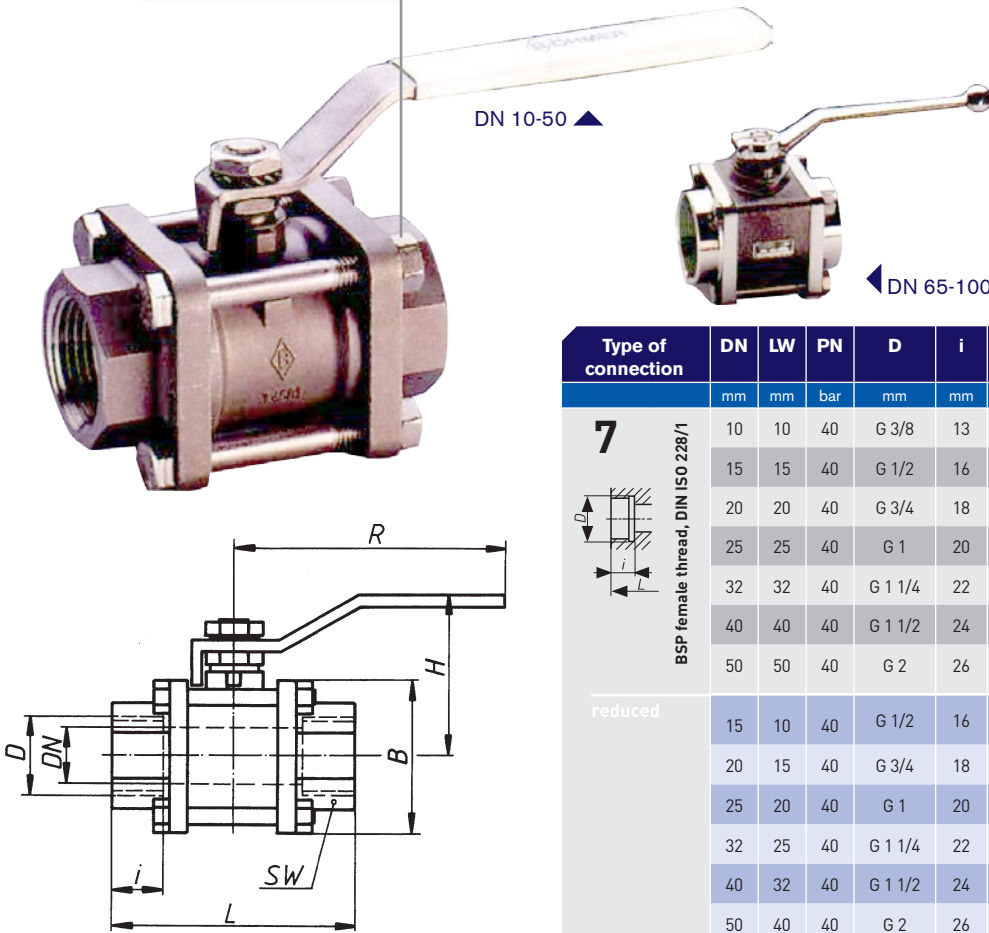
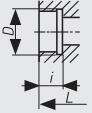


Full bore / reduced bore



Type of connection	DN	LW	PN	D	i	L	B	SW	H	R	Mass	Order-No.
	mm	mm	bar	mm	mm	mm	mm	mm	mm	mm	kg	
<b>7</b>  BSP female thread, DIN ISO 228/1	10	10	40	G 3/8	13	60*	40	22	45	100	0,40	EDG V 040.710
	15	15	40	G 1/2	16	75*	42	27	55	100	0,45	EDG V 040.715
	20	20	40	G 3/4	18	80*	48	32	60	135	0,65	EDG V 040.720
	25	25	40	G 1	20	90*	58	41	65	135	1,10	EDG V 040.725
	32	32	40	G 1 1/4	22	110*	68	50	80	155	1,80	EDG V 040.732
	40	40	40	G 1 1/2	24	120*	80	55	85	155	2,55	EDG V 040.740
	50	50	40	G 2	26	140*	95	70	95	155	3,85	EDG V 040.750
reduced	15	10	40	G 1/2	16	65	40	27	45	100	0,40	EDG R 040.715
	20	15	40	G 3/4	18	73	42	32	55	100	0,55	EDG R 040.720
	25	20	40	G 1	20	85	48	41	60	135	0,85	EDG R 040.725
	32	25	40	G 1 1/4	22	100	58	50	65	135	1,40	EDG R 040.732
	40	32	40	G 1 1/2	24	110	68	55	80	155	2,05	EDG R 040.740
	50	40	40	G 2	26	120	80	70	85	155	3,20	EDG R 040.750
	65	50	25	G 2 1/2	25	130	97	-	95	155	6,00	EDG R 025.765
	80	65	25	G 3	25	160	122	-	140	300	9,00	EDG R 025.780
	100	80	25	G 4	30	180	142	-	160	350	12,50	EDG R 025.100

Materials	PN	DN	
Body	25-40	10-100	Stainless steel 1.4581
Ball	25-40	10-100	Stainless steel 1.4571
Seals	25-40	10-100	PTFE

Please quote order-no. and type:  
**EDG (V/R) 040.XXX**



- The handle is included.
- Ball valves with PTFE seals are normally delivered with FPM O-rings.
- Special designs upon request.

\* Length, face-to-face DIN 3202 S 13.